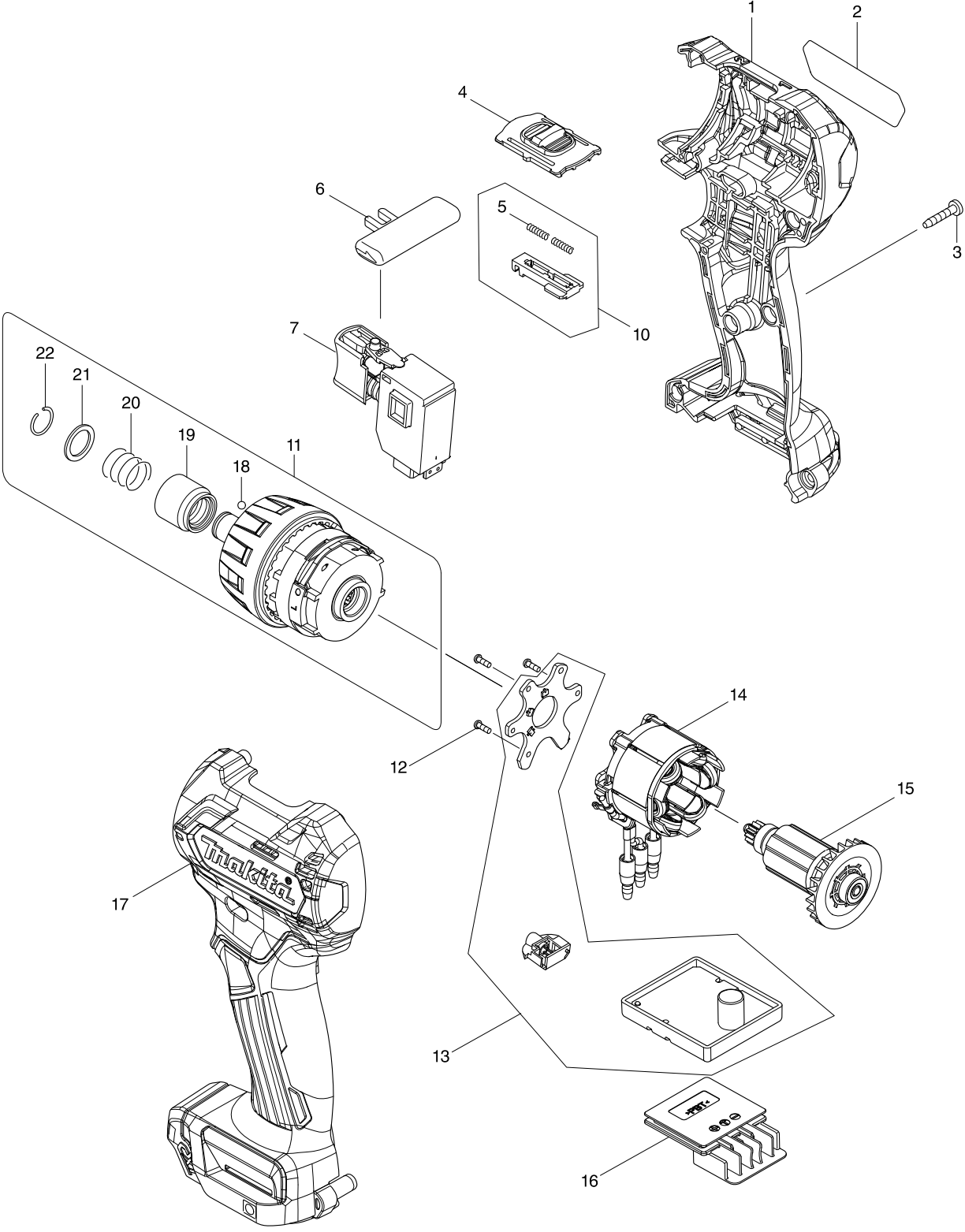


Modell-Nr. DF032D AKKU-BOHRSCHRAUBER 10,8V



Position	Artikel-Nr.	Beschreibung	I/C	Stk.	N/O	Opt. 1	Opt. 2	Hinweis
001	183C34-7	HOUSING SET		1				
D10		INC. 17						
002	851U10-4	DF032D NAME PLATE		1				
003	266429-2	Blechschrabe 3x16		8				
004	456532-9	SPEED CHANGE LEVER		1				
005	233025-1	Druckfeder 2		2				
006	419041-9	Schalterschieber		1				
007	650689-0	Schalter C3JW-2B		1				
010	123587-6	CHANGE LEVER ASS'Y		1				
D10		INC. 5						
011	123550-9	GEAR ASSEMBLY		1	*			
D10		INC. 18-22			*			
011-1	123869-6	GEAR ASSEMBLY	O	1				
D10		INC. 18-22						
012	266490-9	Blechschrabe 2x6		3				
013	620487-6	CONTROLLER		1	*			
013-1	620487-6	CONTROLLER	O	1				
C10	620553-9	LED CIRCUIT		1				
014	629178-6	STATOR		1				
015	619393-0	ROTOR		1	*			
015-1	619410-6	ROTOR	O	1				
016	644813-5	TERMINAL		1				
017	183C34-7	HOUSING SET		1				
D10		INC. 1						
018	216019-1	Kugel 3		2				
019	326677-6	BIT SLEEVE		1				
020	233005-7	Druckfeder 13		1				
021	347004-4	BIT WASHER		1				
022	231965-7	Sprengring 10		1				
A01	251314-2	Schraube M4x12		1				
A02	346909-5	HOOK		1				
A03	784244-7	PH Bit 2x50		1				
A04B	456128-6	BATTERY COVER		1				
A04C	456128-6	BATTERY COVER		1				
A05B	***DC10SA	DC10SA BATTERY CHARGER		1	*			
D10		COMPO-PARTS			*			
A05C	***DC10SA	DC10SA BATTERY CHARGER		1	*			
D10		COMPO-PARTS			*			
A05-1B	***DC10SB	DC10SB BATTERY CHARGER	<	1				
D10		COMPO-PARTS						
A05-1C	***DC10SB	DC10SB BATTERY CHARGER	<	1				
D10		COMPO-PARTS						
A06B	197394-3	BATTERY BL1020B SET		2	*			
A06C	197402-0	BATTERY BL1040B SET		2	*			
A06-1B	197396-9	BATTERY BL1021B SET	<	2				
A06-1C	197406-2	BATTERY BL1041B SET	<	2				
A07B	821661-1	PLASTIC CARRYING CASE		1				
C10	417724-5	Kofferverschluss		2				

